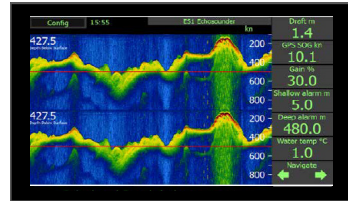


Specifications

Channels	Dual channel echo sounder
Transducer connectors:	2 Transducer connectors in Electronic / transceiver unit.
Frequencies	7 set delectable frequencies 24kHz, 30kHz, 33kHz, 38kHz, 50kHz, 100kHz and 200 kHz
Power Supply	DC: 20 - 32 V and/or 115/230VAC
Power Consumption	Display unit. Nominal 6W Electronic unit 20W
Display ESN200-SB	9" Resistive touch. 400NITS Dimensions: 242 x 158mm Weight:1.1kg 1 x LAN 2 x NMEA 0183 Outputs (IEC61192-1) 3 x NMEA 0183 Inputs (IEC61192-1)
Electronic unit JB70E2-SA	Dimension: 115x115x180mm Weight:1.5kg 2 x LAN (IEC61192-450) 5 x NMEA 0183 Outputs (IEC61192-1) 3 x NMEA 0183 Inputs (IEC61192-1) 1 x AUX in 2 x AUX out 1 x Relay out
Ranges	Selectable from 0 - 5 m to 0 - 5000 m
Approved SKIPPER transducers with expected depth limits	50/200kHz ETS50200T/G 1m-750m 200kHz ETN200T: 1m - 350m 200kHz ETN200ST/G: 1m - 250m 50kHz ETN050T/G: 1.5m - 750m 38kHz ETN038T/G: 2 m- 1200m
Non-approved SKIPPER transducers expected limit	24kHz ETN024T/G: 2m - 2100m
Measuring Accuracy	1-10m: Accuracy 0.1m Resolution=0.1m 10m-100m Accuracy 1% Resolution 0.1m 100m-5000m: Accuracy 1%. Resolution Display=1m NMEA=0.1m
Output power	Nominal 700W. Max >1000W
User functions	Auto mode (for all settings) Manual control: Gain, Power, TVG, Frequency Transducer setup by part number Diagnostic screens / BIT Dimming (remote or local)
Print/Archive function	Printers: By use of EPSON 350, OKI 280Eco, Network printers / Review: Service software via LAN Extended Internal Logging, by USB or SD
Depth alarms	BAM compatible (IEC62923) ALF or ALR. Internal sounder. Relay output and AUX in/out
Options	IR31Dim Remote/Automatic dimming unit CD401MR-SB Multi-repeater ESN200-SB Extra Displays
Classification	MED B approved

Overview

Display unit ESN200-SB



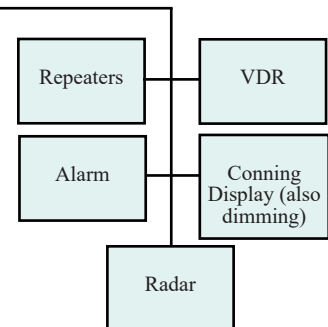
24 V DC

LAN communication with Display
(Multiple displays available)

Electronic / Transceiver unit
JB70E2-SA



24 V DC - 115/230VAC



Options for tank,
sea valve (single and double hull)
and retrofit.

