

SKIPPER EML 224

Compact Electromagnetic Speed Log

Speed log

Single/Dual axis

Compact display

Automated

Accurate

Water temp



Single Axis



The SKIPPER COMPACT EML 224 is a single or dual axis speed log, working on the electromagnetic principle, providing longitudinal and transversal ship's speed relative to sea water. The COMPACT EML 224 gives accurate navigation parameters, measured as they happen, and presented in a logical, user friendly way.

SKIPPER Electronics manufacture marine electronics for the merchant fleet as well as the fishing fleet, based on experience, research and tradition. Our products are known worldwide for reliability, sophistication and good value for money.

Features:

Speed through water in 1 or 2 axis

Water temperature

Interfaces - NMEA 0183

Display - 28 x 30 LED dot matrix with full night dimming

3 easy to use, user programmable displays, integrated menus

Fully automatic settings

Support software for easy setup and diagnostics

Mounting options - tank, Sea Valve for single or double bottom hull designs

Electromagnetic technology is considered a good low end solution for speed log requirements. With both 1 and 2 axis versions available the system, once installed, requires no calibration.

The EML 224 measures the speed of the vessel through the water at all times and in any depth. The measurement is made on the surface of the hull and has no minimum depth. The system includes a single sensor mounted in a tank or Sea Valve. The display housing can be mounted anywhere on the bridge and a connection box can be placed wherever it is most convenient for connection. A COM port within the connection box allows for easy installation and diagnostics from a laptop with a RS-232 COM port.

Not only does the Compact EML224 present the critical parameters on screen, but can be interfaced with bridge systems and repeaters. The Compact EML224 can also present temperature and other NMEA values from the NMEA Interface.

"Serve you further"

e-mail: sales@skipper.no

www.skipper.no


Navigational Speed Logs, Echo Sounders, Sonar and Direction Finders

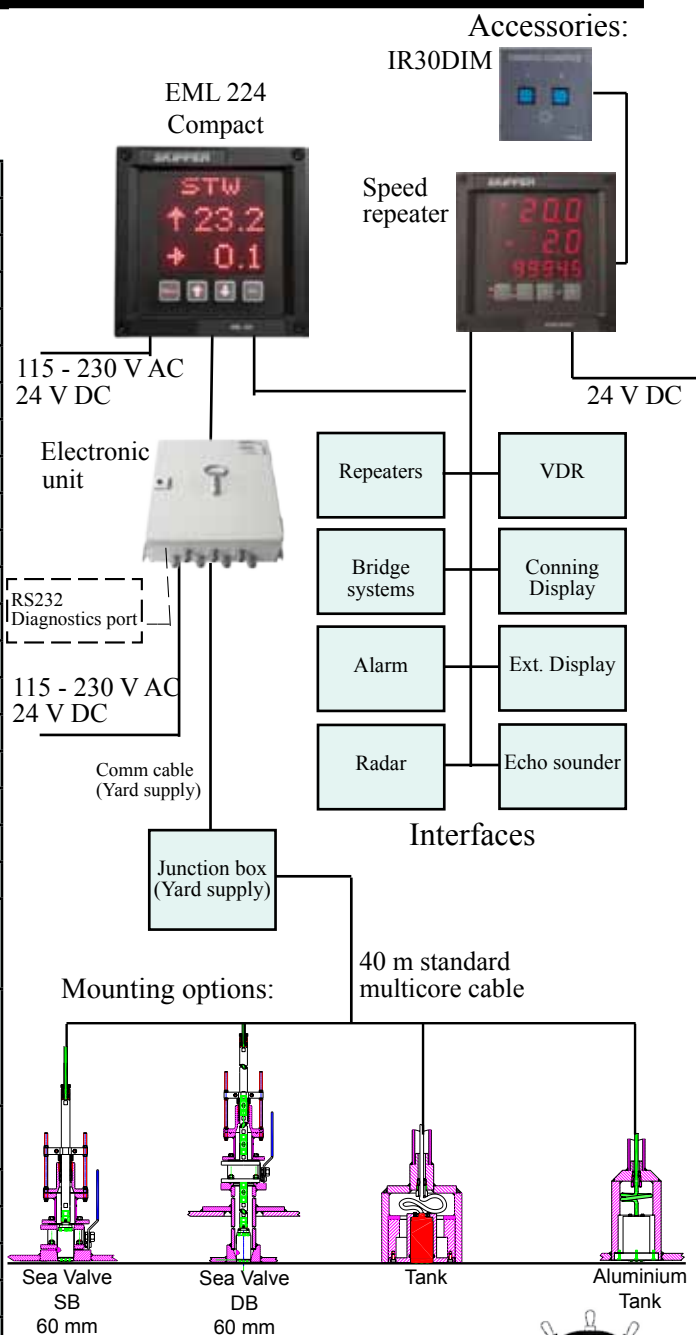
SKIPPER EML 224

Compact Electromagnetic Speed Log

Specifications

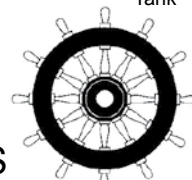
Overview

Log	SY-EML124Cx-xx	SY-EML224Cx-xx	Units
	Single Axis	Dual Axis	
Number of Axis	1	2	
Speed range Long	±40	±40	knots
Speed range Trans	na	±40	knots
Water track (from)	0	0	meters
Accuracy (better than)	0.2	0.2	knots
Temperature accuracy	< 1	< 1	°C
Mounting dimensions	124 x 124 mm. Bracket or panel mounting		
Front plate	144 x 144 mm to DIN standard		
Depth	59 mm		
Weight cabinet	1 kg		
Standard cable length	5 m (max. 10 m)		
Mounting			
Gatevalve:			
Single bottom	Yes	Yes	
Double bottom	Yes	Yes	
Tank:			
Steel	Yes	Yes	
Aluminium	Yes	Yes	
Speed alarms	High and low speed limits Power failure Sensor failure		
Outputs	- 2 x NMEA 0183 - 1 x contact closure (pulse) - Alarm (relay) - Fitness		
Inputs	- 1 NMEA 0183 (OPTO isolated) - External Dimming (pulse)		
Accepted NMEA formats			
Outputs			
Speed	VBW, VHW*		
Distance	VLW		
Others	MTW (temp)		
Power supply	AC: 115 - 230 V 50/60 Hz DC: 24 V		
Power consumption	Max. 30 W		
Display	28 x 30 pixel Alphanumeric LED (red) with dimming		
Languages	English		
Accessories	IR300 Speed repeater Dimming control		
Classification	IMO 		
Service	Available in most major harbours, world-wide through extensive dealer network		



SKIPPER
SKIPPER Electronics AS

Enebakkveien 150
P.O.Box 151, Manglerud
0612 Oslo, Norway
E-mail: sales@skipper.no
Telephone: +47 23 30 22 70
Telefax: +47 23 30 22 71
Co.reg.no: NO-965378847 - MVA
www.skipper.no
Date: March 2010
Version: 02032010



* The Compact EML 124 has only Longitudinal output and will therefore only give that information within the NMEA outputs