

# SKIPPER DL1-Multi

## Single Axis Speed through water Doppler Speed Log System



*The SKIPPER DL1 is a single axis speed log system, working on the Doppler principle, providing longitudinal ship's speed and distance relative to sea water. The SKIPPER DL1 gives accurate navigation parameters measured as they happen and presented in a logical user friendly way.*

### Features:

*Speed through water in 1 axis*

*Water temperature*

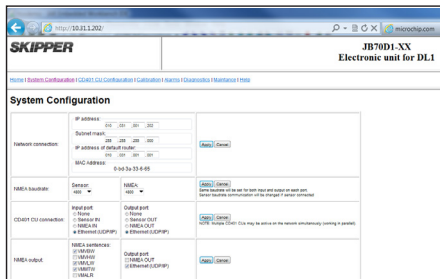
*Interfaces - NMEA 0183*

*Display - 28 x 30 LED dot matrix with full night dimming*

*3 easy to use user programmable displays, integrated menus*

*Fully automatic settings*

*Mounting options - Tank, sea valve for single or double bottom hull designs*



Web based configuration.

Doppler technology is considered as a good solution for speed log requirements.

The SKIPPER DL1 measures the speed of the vessel through the water at all times in depth >3m. The system includes a single sensor mounted in a tank or sea valve. The display housing can be mounted anywhere on the bridge. An electronic unit can be placed wherever it is most convenient for connection. A LAN port within the electronic unit allows for easy installation and diagnostics from a web page.

The JB70D1 is an electronic unit with extended connectivity, allowing the user to use yesterdays (pulse) outputs, today's (NMEA 0183), and tomorrow's (LAN) interfaces.

In addition to the compact display setup, a web page setup and a calibration procedure is available.

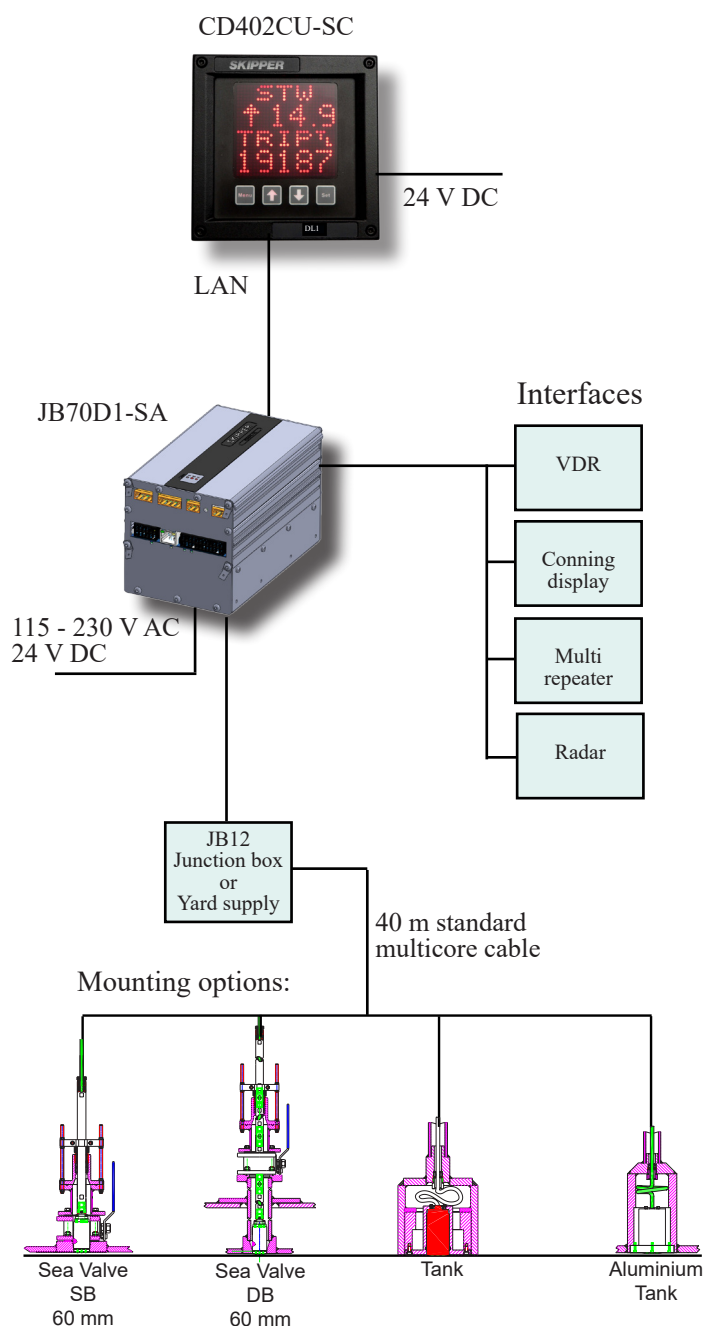
# SKIPPER DL1-Multi

## Single Axis Doppler Speed Log system

### Specifications

SKIPPER DL1-Multi	
Number of Axis	1
Speed range Long	±50 knots
Water track measuring distance from sensor	0.5m - 3m
Minimum water depth below transducer	3m
Accuracy (better than)	0.2 knots or 2 % whichever is greater
Speed resolution	0.1
Temperature accuracy	Better than 1 °C
Temp resolution	0.1
Compact Display	28 x 30 LEDs
Mounting dimensions Compact Display	124mm x 124mm Bracket or panel mounting
Front plate Compact Display	144mm x 144mm to DIN standard
Cabinet mounting depth with cable	90mm
Weight cabinet	2.5kg
Standard cable length for sensor	40m
<b>Bottom mounting options</b>	
<b>Sea Valve:</b>	Single or double bottom
<b>Tank:</b>	Steel or aluminium
Speed alarms	<ul style="list-style-type: none"> <li>High and low speed limits</li> <li>Power failure</li> <li>Sensor failure</li> </ul>
Outputs	<ul style="list-style-type: none"> <li>4 x NMEA 0183 (IEC61162-1/2)</li> <li>3 x isolated outputs (pulse, power failure etc.).</li> <li>Alarm (relay)</li> <li>LAN (IEC61162-450)</li> </ul>
Inputs	<ul style="list-style-type: none"> <li>1 NMEA 0183 (OPTO isolated)</li> <li>External Dimming (pulse)</li> </ul>
Accepted NMEA formats	• VTG, RMC, GGA, ACK
<b>Outputs</b>	
Speed	• VBW, VHW
Distance	• VLW
Others	• MTW (temp), ALR
Power supply, JB70D1 CD402CU-XX	<ul style="list-style-type: none"> <li>AC: 115 - 230 V 50/60 Hz</li> <li>DC: 24 V</li> </ul>
Power consumption	• Max. 30 W
Certified for MED B (Wheel-mark)	<ul style="list-style-type: none"> <li>IEC61023, IEC60945, IEC61162-1/2/450, IEC62288, ready for IEC61924</li> </ul>
Language	• English

### Overview



SKIPPER Electronics AS  
 Enebakkveien 150  
 P.O.Box 151, Manglerud  
 0612 Oslo, Norway  
 E-mail: sales@skipper.no  
 www.skipper.no

