

# SKIPPER

# DL1

## Single Axis Speed through water Doppler Speed Log



*The SKIPPER DL1 is a single axis speed log, working on the Doppler principle, providing longitudinal ship's speed and distance relative to sea water. The SKIPPER DL1 gives accurate navigation parameters, measured as they happen, and presented in a logical, user friendly way.*

SKIPPER Electronics manufacture marine electronics for the merchant fleet as well as the fishing fleet, based on experience, research and tradition. Our products are known worldwide for reliability, sophistication and good value for money.

#### **Features:**

*Speed through water*

*Water temperature*

*Interfaces - NMEA 0183*

*Display - 28 x 30 LED dot matrix with full night dimming*

*3 easy to use, user programmable displays, integrated menus*

*Fully automatic settings*

*Mounting options - Tank, Sea valve for single or double bottom hull designs*

*Can retrofit to EML224 system*

Doppler technology is considered as a good solution for speed log requirements.

The SKIPPER DL1 measures the speed of the vessel through the water at depths >3m below the sensor.

The system includes a single sensor mounted in a tank or sea valve. The display housing can be mounted anywhere on the bridge and a connection box can be placed wherever it is most convenient for connection. A COM port within the connection box allows for easy installation and diagnostics from a laptop with a RS-232 COM port.

Not only does the SKIPPER DL1 present the critical=important parameters on screen, but can be interfaced with bridge systems and repeaters. The SKIPPER DL1 can also present speed, distance and temperature from the NMEA Interface.

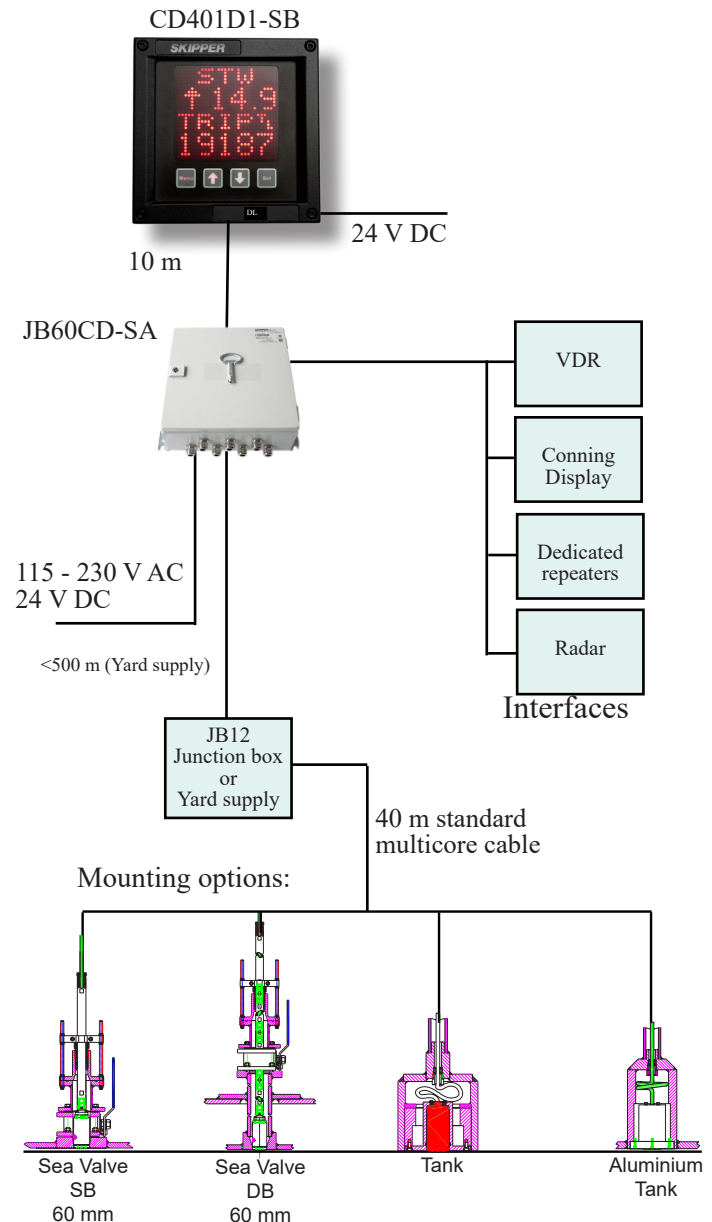
# SKIPPER DL1

## Single Axis Speed through water Doppler Speed Log

### Specifications

### Overview

| Log  | SKIPPER DL1   |
|--|---|
| Number of Axis   | 1   |
| Speed range Long   | ±50 knots   |
| Water track measuring distance from sensor                     | 0.5m - 3m   |
| Minimum water depth below transducer                           | 3m  |
| Accuracy (better than)   | 0.2knots or 2 % whichever is greater  |
| Speed resolution   | 0.1   |
| Temperature accuracy   | Better than 1 °C  |
| Temp resolution  | 0.1   |
| Operating frequency  | 715kHz  |
| Display  | 28 x 30 LED's   |
| Mounting dimensions  | 124mm x 124mm<br>Bracket or panel mounting                                    |
| Front plate  | 144mm x 144mm to DIN standard   |
| Cabinet mounting depth with cable                              | 90mm  |
| Weight cabinet   | 2.5kg   |
| Standard cable length for display                              | 10m   |
| Standard cable length for sensor                               | 40m   |
| <b>Mounting</b>  |   |
| <b>Gatevalve:</b>  |   |
| Single bottom  | Yes   |
| Double bottom  | Yes   |
| <b>Tank:</b>   |   |
| Steel  | Yes   |
| Aluminium  | Yes   |
| Retrofit available for Sagem, Simrad NL, Sperry, SAM and Atlas |   |
| <b>Outputs</b>   | - 2 x NMEA 0183<br>- 1 x isolated output (pulse)<br>- Relay for power failure |
| <b>Inputs</b>  | - 1 NMEA 0183 (OPTO isolated)<br>- External Dimming (pulse)                   |
| <b>Outputs</b>   |   |
| Speed  | VBW, VHW  |
| Distance   | VLW   |
| Others   | MTW (temp)  |
| <b>Power supply</b>  | AC: 115 - 230 V 50/60 Hz DC: 24 V   |
| <b>Power consumption</b>                                       | Max. 30 W   |
| <b>Certified for MED B (Wheelmark)</b>                         | IEC61023, IEC60945, C61162-1/2, IEC62288                                      |
| <b>Language</b>  | English   |



SKIPPER Electronics AS  
 Enebakkeveien 150  
 P.O.Box 151, Manglerud  
 0612 Oslo, Norway  
 E-mail: sales@skipper.no  
 www.skipper.no

