



SEAS6000 Antenna for TV-AM-FM  
Size: (H) 260/180 x (W) 450 mm

## FEATURES

- Worldwide Digital/Analogue TV-AM-FM reception
- Automatic Level control ALC on 3 bands
- Filter/wavetraps for VHF 156 MHz, AIS 162 MHz, LTE/4G 790 MHz to avoid interference
- Easy to install, no additional parts and no adjustments
- Antenna conforming to protection class IP68 (excl. BNC connector)

**DESCRIPTION**  
SEAS 6000 (TV-AM-FM)

**PART NO**  
6000

## TECHNICAL SPECIFICATION

### Mechanical Specifications

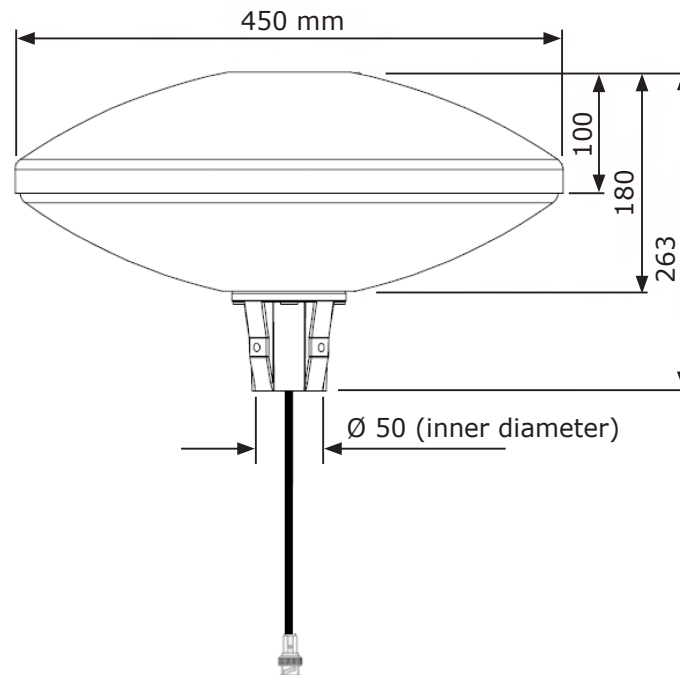
Size	(H) 260/180 x (W) 450 mm	
Antenna Housing	White RAL 9010	
Metal Base	Aluminium Die-Cast [ADC6], Finishing: Black paint, 50 mm/2"	
Cable Connector	BNC Female	
Weight	3.40 Kg and incl. 25m coax cable; 4.80 Kg	
Electrical Specification		
Amplifier Gain	AM	0.1~26.5 MHz >12 dB
	Band I/FM	40~110 MHz >25 dB
	VHF	170~230 MHz >25 dB
	UHF	470~890 MHz >25 dB
ALCs Output Level	95~100 dBuV max.	
Intermodulation	(Composite Triple Beat)	CTB < -60 dBc
Return Loss	16 dB*	
Noise Figure	<4.5 dB	
Supply Voltage	15 VDC (+/-10%)	
Supply Current	app. 200 mA	
Power Consumption	3 W	
EMC	EN 61000-3-2/3-3, EN60945	
Operation Temperature	-40 to +60°C	
Humidity	100% condensing	
Impedance	75 Ohm	



### Antenna filter/wavetraps

VHF	156 MHz
A/S	162 MHz
LTE/4G	790 MHz

\*) at 40 MHz - 1.5 dB/OCT.



MECHANICAL MEASUREMENTS  
Shell and metal base