

SAILOR Fleet One is the ideal complement to the Inmarsat Fleet One service, which utilises the existing Inmarsat-4 satellite constellation to deliver satellite voice and connectivity services ideal for use on smaller boats. With its compact, lightweight antenna and simple installation, SAILOR Fleet One is a low-cost entry point to the world of maritime satcoms that keeps you connected at all times.

Data & voice

SAILOR Fleet One enables data connectivity up to 150kbps and voice calling on a single line. Its capabilities offer significant communications functionality for recreational and fishing users who need reliable voice communications and Internet connectivity on board, when cellular networks are not available, or just don't offer the quality needed for good communication.

Unrivalled pedigree

SAILOR Fleet One is designed to the same high standards as the existing SAILOR FleetBroadband product line; quality that more than 60,000 end-users have experienced so far. With ease of use and durability at the forefront, you can trust SAILOR Fleet One to provide reliable, high quality communications whether cruising offshore or fishing for a living.

Easy installation

The SAILOR Fleet One antenna is light and easy to install, even on small boats, and connecting to the below deck equipment is simple enough that keen owners can handle the installation and maintenance themselves. It may be small, but it packs enough power to deliver plenty of bandwidth for email, web browsing and social media sites.

First choice for Fleet One

Built by the people behind the leading SAILOR FleetBroadband range, SAILOR Fleet One is the first choice for boat owners choosing the Fleet One service because it ensures reliable connectivity even on smaller boats that don't have the room, or the budget, for larger satcoms antennas.

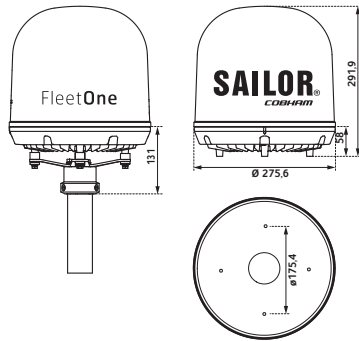


SAILOR® FLEET ONE

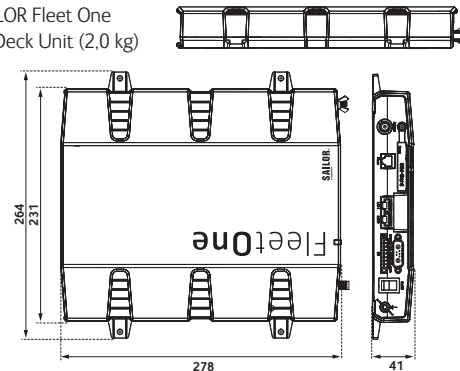
First choice for Fleet One



SAILOR Fleet One
Above Deck Unit (3,9 kg)



SAILOR Fleet One
Below Deck Unit (2,0 kg)



APPROVALS

Inmarsat Fleet One approved. Compliant to RTTE, CE Marked. Testet to FCC part 25

FREQUENCY BAND

| | |
|-------------|--|
| Rx | 1518 - 1559 MHz |
| Tx | 1626.5 - 1660.5 MHz 1668.0 - 1675.0 MHz |
| Ch. spacing | 10.5 - 189 kHz, Rx 21 - 189 kHz, Tx |
| Ch. size | 1.25 KHz |

RECOMMENDED ANTENNA CABLE

| | |
|--------------------|---|
| Cable loss max/min | 20 dB at 1,62 GHz and 1.0 Ω DC loop resistance max. 3 dB at 36 - max. 4 dB at 54 MHz |
|--------------------|---|

POWER SUPPLY AND CONSUMPTION

| | |
|---|-----------------|
| DC input range (isolated) | 10.5V to 32V DC |
| Power (max), incl. antenna & PoE output | 120 W @ 10-32 V |

ENVIRONMENTAL CONDITIONS

| | |
|---|---------------------------------|
| Ambient Temperature | -25 to +55° C |
| Storage | -40 to +85° C |
| Survival (power on, non functional) | -40 to +80° C |
| Automatic thermal surveillance shuts down system gradually in ease of own temperature | |
| BDU operating humidity | 95% non-condensing at +40° C |
| ADU enclosure | IPX6 |
| ADU operating humidity | "Exposed" according to EN60 945 |
| BDU enclosure | IP30 |
| Icing (survival) | Max 25 mm |

VIBRATION (ADU)

| | |
|----------------------------|--|
| Vibration, operational | Random spectrum 1.05 g rms x 3 axes: 5 to 20 Hz: 0.02 g2/Hz 20 to 150 Hz: -3 dB/octave |
| Vibration, non-operational | Random spectrum 1.7 g rms 2 h x 3 axes (6 h total): 5 to 20 Hz: 0.05 g2/Hz, 20 to 150 Hz: -3 dB/octave |

SHIP MOTION

| | |
|---------------|--------------------------------------|
| Roll | +/- 30 deg. per. 4 s, max 0.7 g tan. |
| Pitch | +/- 15 deg. per. 3 s, max 0.6 g tan. |
| Yaw | +/- 10 deg. per. 5 s, max 0.3 g tan. |
| Surge | +/- 0.5g |
| Sway | +/- 0.5g |
| Heave | +/- 0.7g |
| Turning rate | +/- 36°/s; ACC 12°/s² |
| Headway speed | 22 m/s (42 knots) |
| Wind | 100 knots |

MECHANICAL SHOCK

20g/11 half-sine

ANTENNA CONNECTOR

| | |
|-----|-------------|
| ADU | TNC, female |
| BDU | TNC, female |

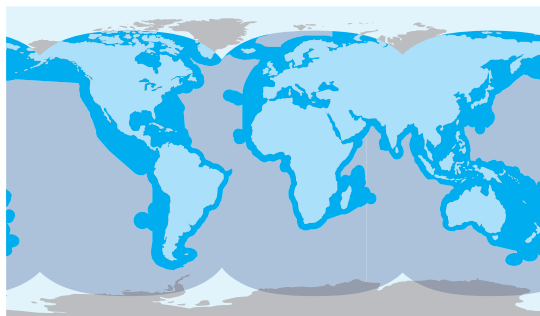
SERVICES

| | |
|-------------------|----------------|
| Standard IP | Up to 150 kbps |
| Streaming IP | - |
| ISDN Data | - |
| SMS (standard 3G) | 160 characters |
| Standard Voice | 4 kbps |

INTERFACES

| | |
|--------------------|--|
| Ethernet/PoE | 2 ports |
| Phone/Fax (2-wire) | 1 port |
| I/O Connector | 1 connector with 5 configurable inputs/outputs |
| Status LED | LED power indicator |
| SIM Card Slot | 1 SIM Card slot for Fleet One SIM card |
| Router | Integral DHCP/NAT router |
| PBX | Built-in PBX |

COVERAGE AND RATE REGIONS



■ Voice and data
 ■ Voice only

For further information please contact:

satcom.ohc@cobham.com