

SAILOR® 4065 EPIRBs FAMILY

COBHAM

Emergency Position Indicating Radio Beacon

Product Sheet

The most important thing we build is trust

The SAILOR 4065 EPIRBs are satellite distress beacons designed to operate in conjunction with the Cospas-Sarsat international satellite search and rescue system and are MEOSAR satellite compatible.

For GMDSS compliance, the SAILOR 4065 EPIRBs have a slimline fully enclosed float free housing which allows self-testing of the EPIRB in question. The SAILOR 4065 EPIRBs are also available with a quick release bulkhead mounting bracket for carry-off situations.

Features include:

- GMDSS compliant
- Global distress alerting
- MEOSAR compatible Satellite location
- Small and lightweight
- Automatic deployment option
- Up to 10 year shelf life
- Easy battery replacement
- Built-in GPS, Galileo and GLONASS navigation receiver (model GNSS included only)

When considering the SAILOR 4065 EPIRBs for your vessel, you have the choice of two versions – the version with no GNSS included or the version including GNSS. The version including GNSS is distinguished by a built-in GNSS and the ability to provide Search and Rescue (SAR) services with location details, including latitude and longitude to a typical accuracy of +/- 62m. Both models rely on the global Cospas Sarsat satellite system able to locate beacons transmitting on the 406MHz frequency to within 5km (3nm). Once SAR units are at the distress scene the beacon's 121.5MHz homing transmitter and it's high intensi-

ty strobe light aid final location even in poor visibility. SAILOR 4065 EPIRBs are fully compatible with the Cospas-Sarsat and Global Maritime Distress and Safety System (GMDSS) regulations and meets the requirements of the International Maritime Organization (IMO).

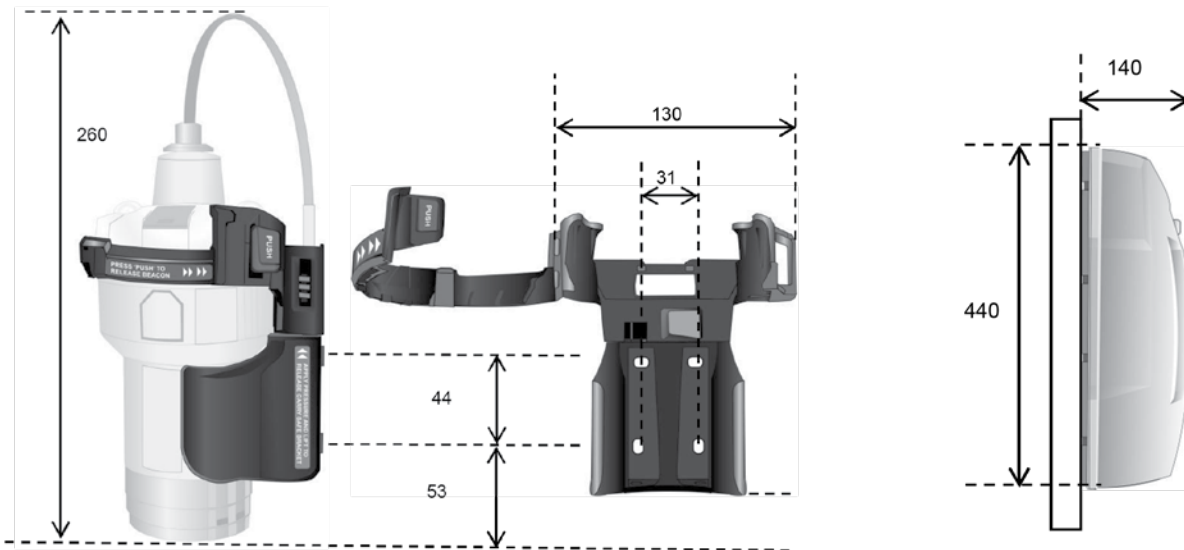
When shipped the beacon is programmed with a unique serial number which must be registered with the national authorities. Where national authorities allow, the beacon can be re-programmed with the vessels satellite or radio call sign. This is done by the distributor using an infra-red light pen connected to a computer.

The SAILOR 4065 EPIRBs are supplied with a fully enclosed automatic float free housing which allows it to be self-tested while in the housing. For non GMDSS use the unit can be supplied in a quick release bulkhead mounting bracket. Once removed from its mounting bracket, activation happens automatically by immersion of the water or manually by a protected push button on the top of the EPIRB. An additional self-test button runs a short diagnostic check and indicates that the EPIRB is ready for use. The specially designed wall bracket prevents unintentional activation in carry-off situations.



SAILOR® 4065 EPIRBS FAMILY

Emergency Position Indicating Radio Beacon



406MHz TRANSMITTER

Frequency	406.025MHz +/-1kHz
Power output	5 Watts nominal

121.5MHz TRANSMITTER

Frequency	121.5MHz +/- 3.5kHz
Power output	100mW nominal

GNSS RECEIVER (NOTE 1)

Constellations	Constellations GPS, GLONASS, Galileo
Frequencies	1575.42 MHz (GPS, Galileo) 1602.00 MHz (GLONASS)
Sensitivity	-167 dBm minimum
Satellites tracked	72 channel

STROBE LIGHT

Type	3 high intensity LEDs
Flash Rate	23 flashes per minute

BATTERY

Type	Lithium iron disulphide
Operating life	48 hours minimum
Shelf life (In Service Life)	Cobham SATCOM recommends and flag administration requires a 5-year health check at the nearest approved service agent

ENVIRONMENT

Operating temperature	-20° C to +55° C (-4° F to +131° F)
Storage temperature	-30° C to +70° C (-22° F to +158° F)
Automatic release depth	4 m maximum

DIMENSIONS (EPIRB)

Weight	110 g
Height/Width/Depth	425 x 105 x 105 mm (incl. antenna)

DIMENSIONS (MANUAL BRACKET)

Weight	110 g
Height/Width/Depth	135 x 125 x 125 mm

DIMENSIONS (FLOAT FREE ENCLOSURE)

Weight	1075 g
Height/Width/Depth	415 x 135 x 135 mm

STANDARDS APPLIED (NOTE 3)

COSPAS-SARSAT	C/S T.001	C/S T.007
Europe	MED (wheelmark)	
USA	USCG & FCC	
IMO regulations	A.662(16); A.694(17); A.810(19); A.814(19)	

Note 1: GNSS is available on the SAILOR 4065 EPIRB – GNSS – Manual and the SAILOR 4065 EPIRB – GNSS – Automatic versions only

Note 2: Approvals for the various standards are pending

For further information please contact:

www.satcom.ohc@cobham.com